

Ultrasonic Flowmeter

Jain Technology

www.jain.co.kr
sales@jain.co.kr



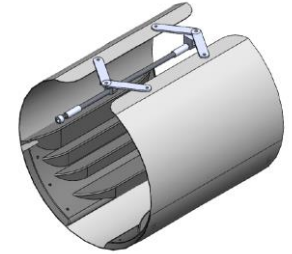
Clamp-On



Portable



Open Channel



Sewer Flow



Gas Flowmeter



Energy Meter



Flange Clamp-On



Water Meter

1. Clamp-On Ultrasonic Flowmeter



Xonic 100L
Fixed type

- First in Korea
- Clamp-On
- Transit-Time
- DSP Technology
- CE certified
- Clean & Dirty Liquid



Xonic 100P
Portable type



2. Open Channel Flowmeter

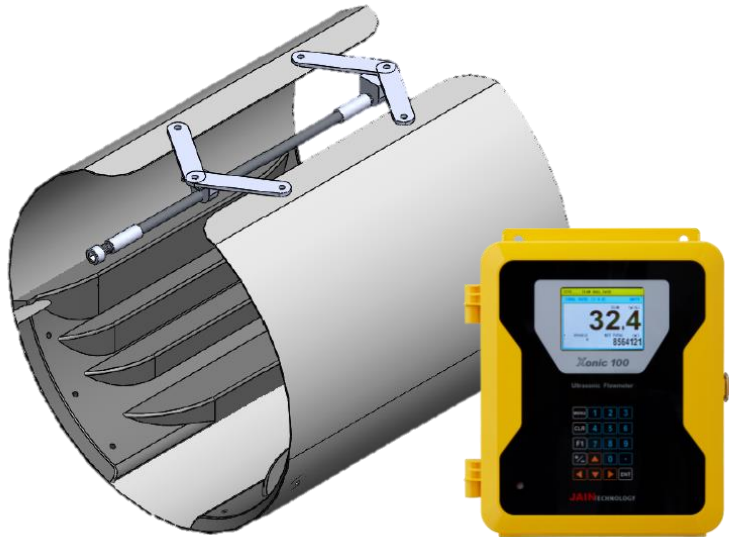


Xonic 100LM
Open Channel

- All shape of channel
- AR Mode, Transit-Time
- 4 Path Velocity + Level
- Measure up to 30meters width
- IP68 submersible transducer



3. Sewer Pipe Flowmeter



Xonic 100LO
Full & partially filled sewer pipe

- AR Mode, Transit-Time
- 4 Path Velocity + Level
- Patented Design
- Sludge Deposit Alarm
- Low & High flow measurement

