

Ultrasonic Flowmeter

Jain Technology

INTRODUCTION

- Established in 1991, Seoul, South Korea
- Authorized Korea Calibration Laboratory ISO17025
- Awarded from Ministry of Commerce
Ministry of Environment
Prime Minister
- Venture Business / Inno-Biz Company
- Enterprise Specializing in Parts Materials
- Enterprise Specializing in Instrument Development
- Developer for Next Generation Core Technology
- Developer of Counter Sniper Detection System from Ministry of Defence
- ISO9001, ISO14001, ISO17025 Certified
- CE Certified

Products



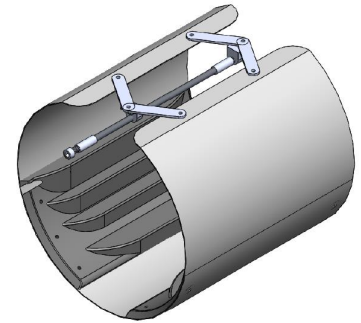
Clamp-On



Portable



Open Channel



Sewer Flow



Gas Flowmeter



Energy Meter



Flange Clamp-On



Water Meter

Flowmeter Calibration Service



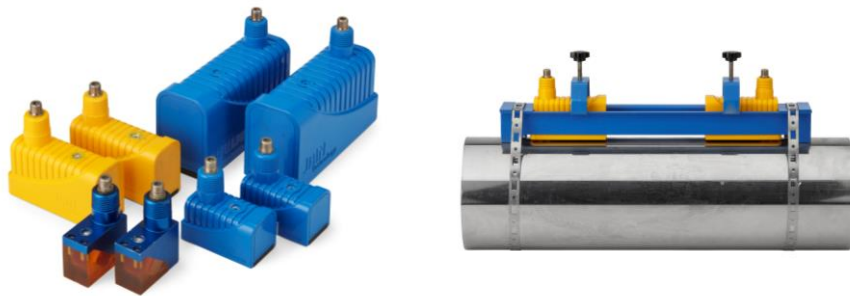
Weighting Type Flowmeter
Standard Calibration System
Flow Range : 0~630 m³/hr



1. Liquid Flowmeter – Xonic 100L



- First in Korea
- Clamp-On
- Competitors are GE, Siemens, Fuji, Dynasonic
- Transit-Time method
- 10 more Patent
- Time Resolution pico-seconds
- CE certified



Using DSP Technology
(Cross Correlation, FFT)

for Clean & Dirty

Liquid Measurement

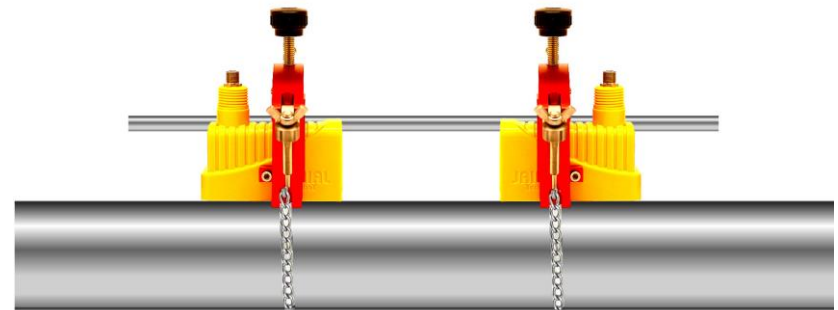
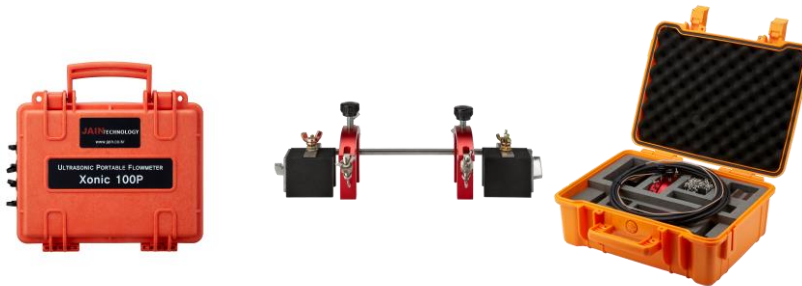
1. Liquid Flowmeter – Field Installation



2. Portable Flowmeter – Xonic 100P



- 2.4kg Weight
- 24hours operation with battery
- IP68 Submersible Connectors
- Rainproof case
- All kinds of liquid



2. Portable Flowmeter – Field Installation



3. Open Channel Flowmeter – Xonic 100LM



- Open Channel Flow
 - AR Mode(Patent), Transit-Time
 - 4 Path + Level
 - Touch Key Installation
-

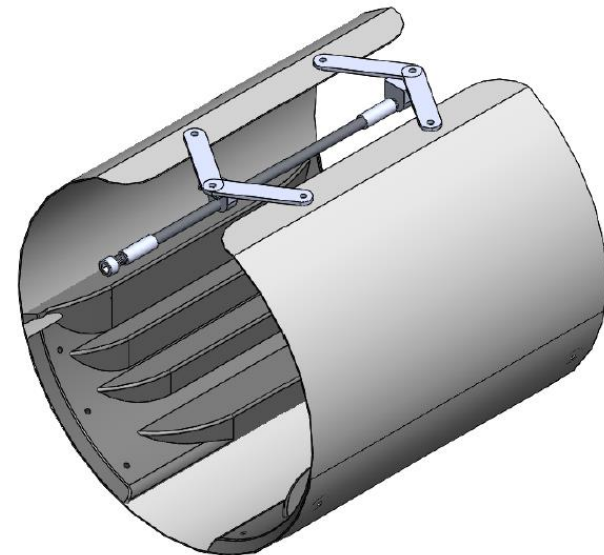


3. Open Channel – Field Installation



4. Sewer Pipe Flowmeter – Xonic 100LO

- Partially filled sewer pipe
- AR Mode(Patent), Transit-Time
- 4 Path + Level
- Touch Key Installation
- Patent Design
- Sludge Deposit Alarm



4. Sewer Pipe – Field Installation



Thank you!

For more information,
please visit our website:

www.jain.co.kr

sales@jain.co.kr

Tel : 82-2-856-4114